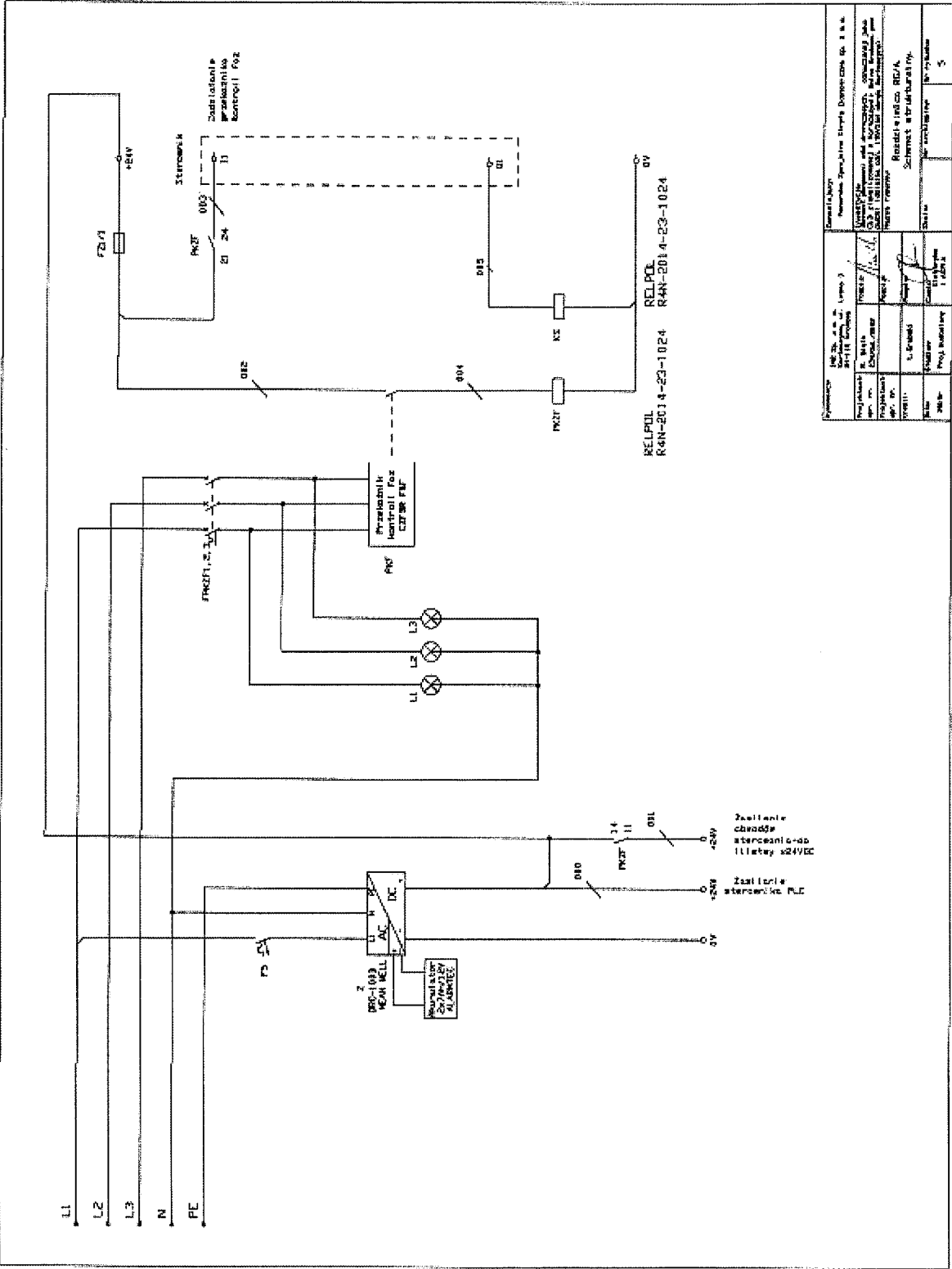
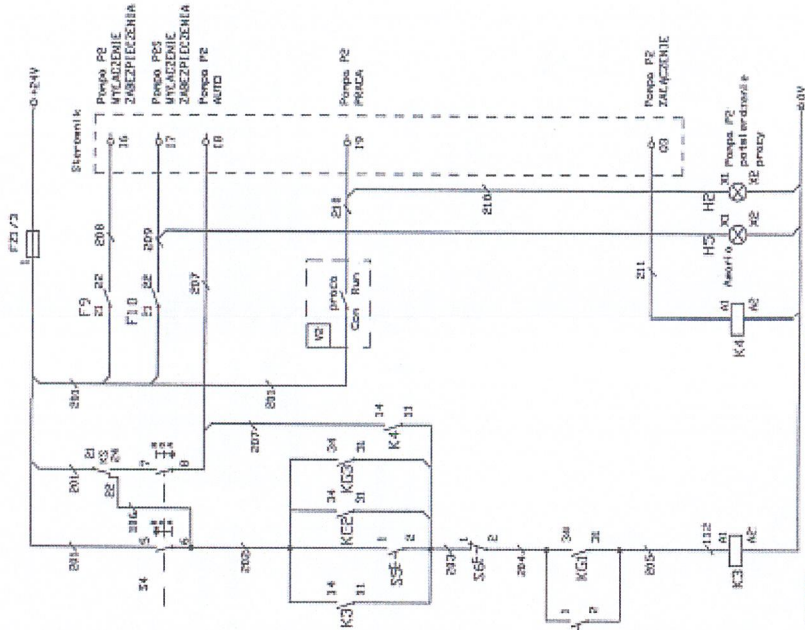
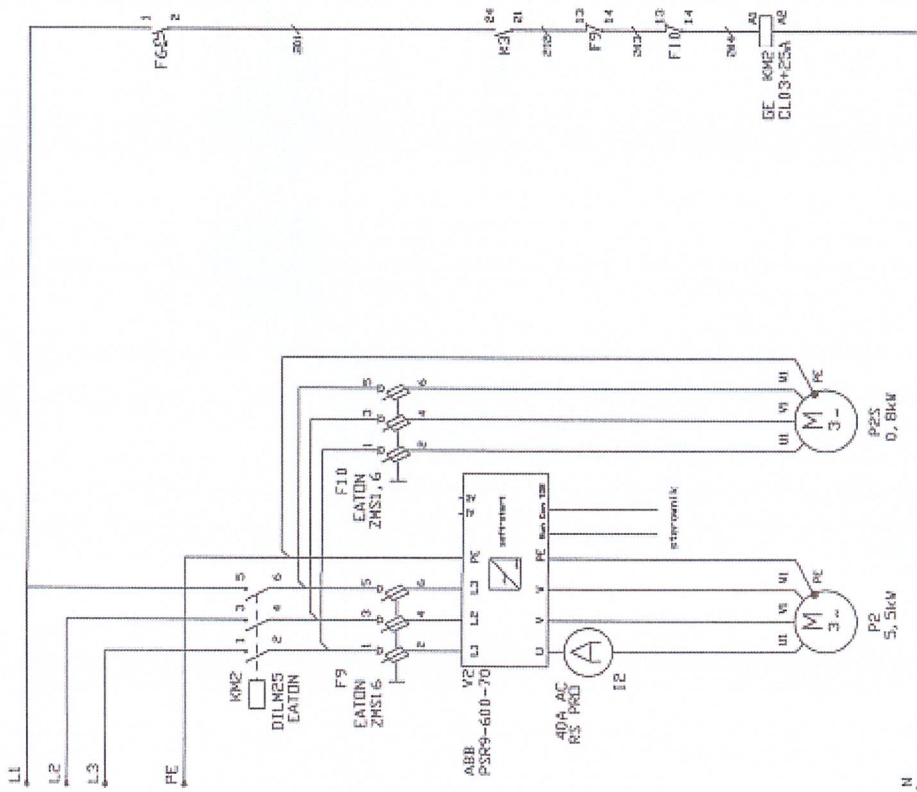


Objęcie	Str. 1, 2, 3, 4, 5, 6, 7, 8, 9, 10, 11, 12, 13, 14, 15, 16, 17, 18, 19, 20, 21, 22, 23, 24, 25, 26, 27, 28, 29, 30, 31, 32, 33, 34, 35, 36, 37, 38, 39, 40, 41, 42, 43, 44, 45, 46, 47, 48, 49, 50, 51, 52, 53, 54, 55, 56, 57, 58, 59, 60, 61, 62, 63, 64, 65, 66, 67, 68, 69, 70, 71, 72, 73, 74, 75, 76, 77, 78, 79, 80, 81, 82, 83, 84, 85, 86, 87, 88, 89, 90, 91, 92, 93, 94, 95, 96, 97, 98, 99, 100	Str. 1, 2, 3, 4, 5, 6, 7, 8, 9, 10, 11, 12, 13, 14, 15, 16, 17, 18, 19, 20, 21, 22, 23, 24, 25, 26, 27, 28, 29, 30, 31, 32, 33, 34, 35, 36, 37, 38, 39, 40, 41, 42, 43, 44, 45, 46, 47, 48, 49, 50, 51, 52, 53, 54, 55, 56, 57, 58, 59, 60, 61, 62, 63, 64, 65, 66, 67, 68, 69, 70, 71, 72, 73, 74, 75, 76, 77, 78, 79, 80, 81, 82, 83, 84, 85, 86, 87, 88, 89, 90, 91, 92, 93, 94, 95, 96, 97, 98, 99, 100	Str. 1, 2, 3, 4, 5, 6, 7, 8, 9, 10, 11, 12, 13, 14, 15, 16, 17, 18, 19, 20, 21, 22, 23, 24, 25, 26, 27, 28, 29, 30, 31, 32, 33, 34, 35, 36, 37, 38, 39, 40, 41, 42, 43, 44, 45, 46, 47, 48, 49, 50, 51, 52, 53, 54, 55, 56, 57, 58, 59, 60, 61, 62, 63, 64, 65, 66, 67, 68, 69, 70, 71, 72, 73, 74, 75, 76, 77, 78, 79, 80, 81, 82, 83, 84, 85, 86, 87, 88, 89, 90, 91, 92, 93, 94, 95, 96, 97, 98, 99, 100
Projektant	Str. 1, 2, 3, 4, 5, 6, 7, 8, 9, 10, 11, 12, 13, 14, 15, 16, 17, 18, 19, 20, 21, 22, 23, 24, 25, 26, 27, 28, 29, 30, 31, 32, 33, 34, 35, 36, 37, 38, 39, 40, 41, 42, 43, 44, 45, 46, 47, 48, 49, 50, 51, 52, 53, 54, 55, 56, 57, 58, 59, 60, 61, 62, 63, 64, 65, 66, 67, 68, 69, 70, 71, 72, 73, 74, 75, 76, 77, 78, 79, 80, 81, 82, 83, 84, 85, 86, 87, 88, 89, 90, 91, 92, 93, 94, 95, 96, 97, 98, 99, 100	Str. 1, 2, 3, 4, 5, 6, 7, 8, 9, 10, 11, 12, 13, 14, 15, 16, 17, 18, 19, 20, 21, 22, 23, 24, 25, 26, 27, 28, 29, 30, 31, 32, 33, 34, 35, 36, 37, 38, 39, 40, 41, 42, 43, 44, 45, 46, 47, 48, 49, 50, 51, 52, 53, 54, 55, 56, 57, 58, 59, 60, 61, 62, 63, 64, 65, 66, 67, 68, 69, 70, 71, 72, 73, 74, 75, 76, 77, 78, 79, 80, 81, 82, 83, 84, 85, 86, 87, 88, 89, 90, 91, 92, 93, 94, 95, 96, 97, 98, 99, 100	Str. 1, 2, 3, 4, 5, 6, 7, 8, 9, 10, 11, 12, 13, 14, 15, 16, 17, 18, 19, 20, 21, 22, 23, 24, 25, 26, 27, 28, 29, 30, 31, 32, 33, 34, 35, 36, 37, 38, 39, 40, 41, 42, 43, 44, 45, 46, 47, 48, 49, 50, 51, 52, 53, 54, 55, 56, 57, 58, 59, 60, 61, 62, 63, 64, 65, 66, 67, 68, 69, 70, 71, 72, 73, 74, 75, 76, 77, 78, 79, 80, 81, 82, 83, 84, 85, 86, 87, 88, 89, 90, 91, 92, 93, 94, 95, 96, 97, 98, 99, 100
Wzrost	Str. 1, 2, 3, 4, 5, 6, 7, 8, 9, 10, 11, 12, 13, 14, 15, 16, 17, 18, 19, 20, 21, 22, 23, 24, 25, 26, 27, 28, 29, 30, 31, 32, 33, 34, 35, 36, 37, 38, 39, 40, 41, 42, 43, 44, 45, 46, 47, 48, 49, 50, 51, 52, 53, 54, 55, 56, 57, 58, 59, 60, 61, 62, 63, 64, 65, 66, 67, 68, 69, 70, 71, 72, 73, 74, 75, 76, 77, 78, 79, 80, 81, 82, 83, 84, 85, 86, 87, 88, 89, 90, 91, 92, 93, 94, 95, 96, 97, 98, 99, 100	Str. 1, 2, 3, 4, 5, 6, 7, 8, 9, 10, 11, 12, 13, 14, 15, 16, 17, 18, 19, 20, 21, 22, 23, 24, 25, 26, 27, 28, 29, 30, 31, 32, 33, 34, 35, 36, 37, 38, 39, 40, 41, 42, 43, 44, 45, 46, 47, 48, 49, 50, 51, 52, 53, 54, 55, 56, 57, 58, 59, 60, 61, 62, 63, 64, 65, 66, 67, 68, 69, 70, 71, 72, 73, 74, 75, 76, 77, 78, 79, 80, 81, 82, 83, 84, 85, 86, 87, 88, 89, 90, 91, 92, 93, 94, 95, 96, 97, 98, 99, 100	Str. 1, 2, 3, 4, 5, 6, 7, 8, 9, 10, 11, 12, 13, 14, 15, 16, 17, 18, 19, 20, 21, 22, 23, 24, 25, 26, 27, 28, 29, 30, 31, 32, 33, 34, 35, 36, 37, 38, 39, 40, 41, 42, 43, 44, 45, 46, 47, 48, 49, 50, 51, 52, 53, 54, 55, 56, 57, 58, 59, 60, 61, 62, 63, 64, 65, 66, 67, 68, 69, 70, 71, 72, 73, 74, 75, 76, 77, 78, 79, 80, 81, 82, 83, 84, 85, 86, 87, 88, 89, 90, 91, 92, 93, 94, 95, 96, 97, 98, 99, 100



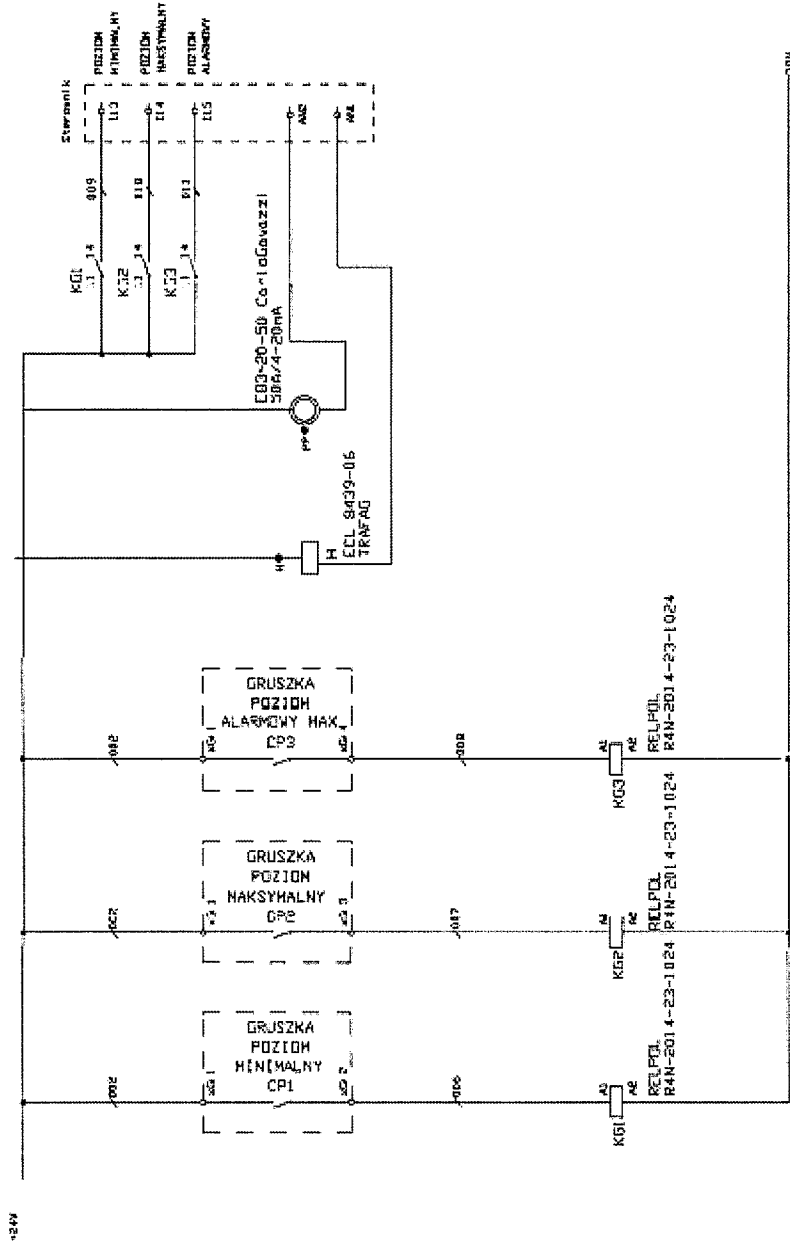
Projekt		Kontrola	
Naziv objekta	R. 4N-2014-23-1024	Projektant	REL/POL R4N-2014-23-1024
Projektant	R. 4N-2014-23-1024	Kontrolor	REL/POL R4N-2014-23-1024
Šifra objekta	R. 4N-2014-23-1024	Šifra projekta	REL/POL R4N-2014-23-1024
Šifra projekta	R. 4N-2014-23-1024	Naziv projekta	REL/POL R4N-2014-23-1024
Naziv projekta	R. 4N-2014-23-1024	Broj projekta	REL/POL R4N-2014-23-1024
Broj projekta	R. 4N-2014-23-1024	Datum projekta	REL/POL R4N-2014-23-1024
Datum projekta	R. 4N-2014-23-1024	Stranica	REL/POL R4N-2014-23-1024
Stranica	R. 4N-2014-23-1024	Broj stranice	REL/POL R4N-2014-23-1024
Broj stranice	R. 4N-2014-23-1024	Broj listova	REL/POL R4N-2014-23-1024
Broj listova	R. 4N-2014-23-1024	Broj sklopova	REL/POL R4N-2014-23-1024
Broj sklopova	R. 4N-2014-23-1024	Broj oznaka	REL/POL R4N-2014-23-1024
Broj oznaka	R. 4N-2014-23-1024	Broj dijelova	REL/POL R4N-2014-23-1024
Broj dijelova	R. 4N-2014-23-1024	Broj materijala	REL/POL R4N-2014-23-1024
Broj materijala	R. 4N-2014-23-1024	Broj opreme	REL/POL R4N-2014-23-1024
Broj opreme	R. 4N-2014-23-1024	Broj izmjena	REL/POL R4N-2014-23-1024
Broj izmjena	R. 4N-2014-23-1024	Broj komentara	REL/POL R4N-2014-23-1024
Broj komentara	R. 4N-2014-23-1024	Broj završnih	REL/POL R4N-2014-23-1024
Broj završnih	R. 4N-2014-23-1024	Broj izvora	REL/POL R4N-2014-23-1024
Broj izvora	R. 4N-2014-23-1024	Broj odobrenja	REL/POL R4N-2014-23-1024
Broj odobrenja	R. 4N-2014-23-1024	Broj potpisivanja	REL/POL R4N-2014-23-1024
Broj potpisivanja	R. 4N-2014-23-1024	Broj odobrenja	REL/POL R4N-2014-23-1024
Broj odobrenja	R. 4N-2014-23-1024	Broj potpisivanja	REL/POL R4N-2014-23-1024



- K3 - K4 - przekaźnik, cewka 24VDC
- KN2 - stycznik, cewka 230VAC
- S4 - przekaźnik 3 pozycyjny R-0-A
- SS - przycisk start zintegrowany z lampką H2
- SC - przycisk stop zintegrowany z lampką H3
- BS - przycisk blokady Suchobieg sekcje 2 (czerny)
- HS - Lampka awaria kolator czyszczący

Specyfikacja		Zamawiający	
Model	RS PRO	Imię i nazwisko	...
Wzrost	...	Adres	...
Waga	...	Telefon	...
Temperatura	...	E-mail	...
Waga
...

RKL PDL R4N-201 4-23-1024
 RKL PDL R4N-201 4-23-1024



Styki pływakowych czujników poziomu
CPI, CP2 i CP3 zwarte w stanie zaporzonym.
K61-3-D-24K62K63, cewka 24VDC

Typowe	Symbol	Opis
K61	809	Relacja 300V/4-20mA
K62	110	Relacja 300V/4-20mA
K63	114	Relacja 300V/4-20mA

ZASILANIE POMPY P1	1
ZASILANIE POMPY P1	2
ZASILANIE POMPY P1	3
N	4
PE	5
ZASILANIE POMPY P1S	6
ZASILANIE POMPY P1S	7
ZASILANIE POMPY P1S	8
N	9
PE	10
ZASILANIE POMPY P2	11
ZASILANIE POMPY P2	12
ZASILANIE POMPY P2	13
N	14
PE	15
ZASILANIE POMPY P2S	16
ZASILANIE POMPY P2S	17
ZASILANIE POMPY P2S	18
N	19
PE	20
ZASILANIE POMPY PA	21
ZASILANIE POMPY PA	22
ZASILANIE POMPY PA	23
N	24
PE	25
CP1	26
CP1	27
CP2	28
CP2	29
CP3	30
CP4	31
H+	32
H-	33
OŚWIETLENIE OGÓLNE	34
N	35
PE	36
OŚWIETLENIE AWARYJNE	37
N	38
PE	39
OŚWIETLENIE ZEWNĘTRZNE	40
N	41
PE	42
G1	43
N	44
PF	45
G2	46
G2	47
G2	48
N	49
PE	50

Wykonawca: INR Sp. z o.o.
Kurtkowszczyzna, ul. Leśna 3
84-110 Kraków

Zainwestujący: Pomorska Specjalna Strefa Ekonomiczna sp. z o.o.
Inwestycja: